

final pump - series XV

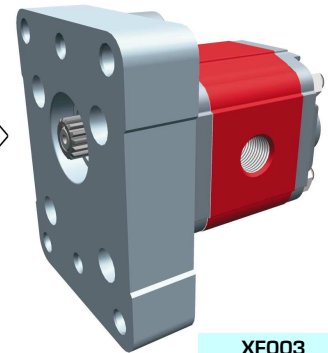
XOF-1

FINAL PUMP TO BE COUPLED WITH XV1
FEMALE Ø25,4 FLANGE

X 0 F 06 32 G B B A

Series	X	series XV
Group	0	group 0
Category	F	final pump
Displacement	06	0.76
Flange	32	Ø25.4 female right rotation 1P+0P
Shaft	G	CI001 - Final for 1+0, 2+0
Body	IN	inlet - 1/4" GAS
	OUT	outlet - 1/4" GAS
Cover	A	standard

X1T
X11-1
X11-2



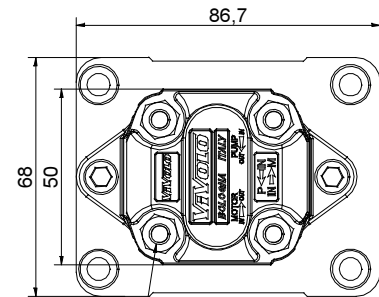
XF003

Technical data table

TYPE	Displacement cm3/rev	Max. Pressure		CODE	
		P1 bar	P3 bar	Left rotation	Right rotation
XOF-1/0.17	0,16	220	260	X 0 F 01 31 G B B A	X 0 F 01 32 G B B A
XOF-1/0.25	0,24	220	260	X 0 F 02 31 G B B A	X 0 F 02 32 G B B A
XOF-1/0.45	0,45	220	280	X 0 F 04 31 G B B A	X 0 F 04 32 G B B A
XOF-1/0.57	0,56	220	280	X 0 F 05 31 G B B A	X 0 F 05 32 G B B A
XOF-1/0.76	0,75	220	280	X 0 F 06 31 G B B A	X 0 F 06 32 G B B A
XOF-1/0.98	0,92	220	280	X 0 F 07 31 G B B A	X 0 F 07 32 G B B A
XOF-1/1.27	1,26	220	280	X 0 F 09 31 G B B A	X 0 F 09 32 G B B A
XOF-1/1.52	1,48	220	280	X 0 F 11 31 G B B A	X 0 F 11 32 G B B A
XOF-1/2.30	2,28	190	210	X 0 F 13 31 G B B A	X 0 F 13 32 G B B A

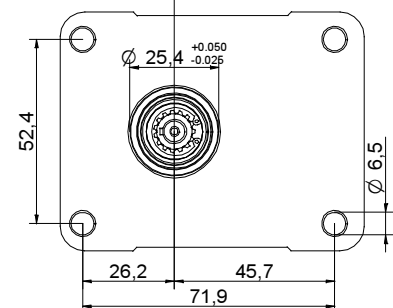
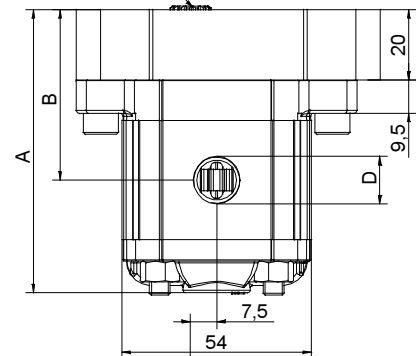
P1) Max. working pressure - P3) Max. peak pressure

For heavy-duty applications, it is recommended to check the admissible torque of the shaft



T.1

T.2



01/04/08 XOF06:32GBBA.dft

Dimensions table

TYPE	Weight kg	A	B	D	D
		mm	mm	IN	OUT
XOF-1/0.17	0,400	75,8	46,2	1/4" BSPP	1/4" BSPP
XOF-1/0.25	0,410	76,4	46,5	1/4" BSPP	1/4" BSPP
XOF-1/0.45	0,420	78,0	47,3	1/4" BSPP	1/4" BSPP
XOF-1/0.57	0,430	79,0	47,8	1/4" BSPP	1/4" BSPP
XOF-1/0.76	0,440	80,5	48,5	1/4" BSPP	1/4" BSPP
XOF-1/0.98	0,460	82,0	49,3	1/4" BSPP	1/4" BSPP
XOF-1/1.27	0,480	84,5	50,5	1/4" BSPP	1/4" BSPP
XOF-1/1.52	0,500	86,5	51,5	1/4" BSPP	1/4" BSPP
XOF-1/2.30	0,560	92,5	54,5	1/4" BSPP	1/4" BSPP

T.1 = 11.7÷13.7 [Nm] - screw tightening torque M6

T.2 = 2.1 [Nm] - admissible shaft torque (N.B. When choosing a shaft, always check the admissible torque).

Table of variations

XOF-1

Female $\varnothing 25,4$ FLANGE

Female $\varnothing 25,4$ FLANGE		Shaft	
Left rotation	Right rotation		
		CI001 - Parallel T.2 = 2.1 [Nm] $m=0,75$ $Z=15$ $\varnothing 11,8$ h11	G

Cover		
Left rotation	Right rotation	
		A
		B
		C
		D
		N
		O

Displacement	
TYPE	CODE
XOF-1/0.17	01
XOF-1/0.25	02
XOF-1/0.45	04
XOF-1/0.57	05
XOF-1/0.76	06
XOF-1/0.98	07
XOF-1/1.27	09
XOF-1/1.52	11
XOF-1/2.30	13

Standard bodies				
Displacement cm ³ /rev	Standard threads			
	0.17	B - B	Z - B	Z - Z
0.25	B - B	Z - B	Z - Z	
0.45	B - B	Z - B	Z - Z	
0.57	B - B	Z - B	Z - Z	
0.76	B - B	Z - B	Z - Z	
0.98	B - B	Z - B	Z - Z	
1.27	B - B	Z - B	Z - Z	
1.52	B - B	Z - B	Z - Z	
2.30	B - B	Z - B	Z - Z	

Table showing standard flange and thread combinations available in stock

Body (threads/flanges)													
	A		B		C		D		E		F		G
	H		I	Closed Body		Z							