

final pump - series XV

XOF-0

SHAPED FINAL PUMP
SHAPED FEMALE Ø22 FLANGE

X 0 F 06 24 N B B A

Series	X	series XV
Group	0	group 0
Category	F	final pump
Displacement	06	0.76
Flange	24	Ø22 body-shaped female right rotation 0P+0P
Shaft	N	CFF01 - Final - Milled shank ø7.16 - thk.3
Body	IN	inlet - 1/4" GAS
	OUT	outlet - 1/4" GAS
Cover	A	standard

XOT
XOI-0



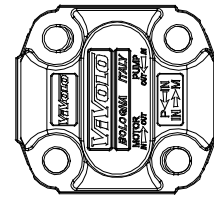
XF002

Technical data table

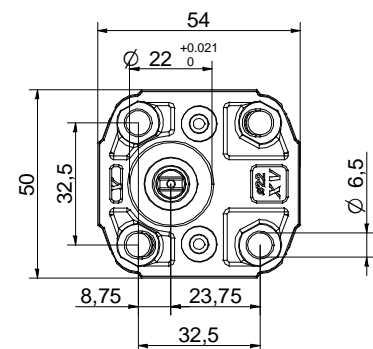
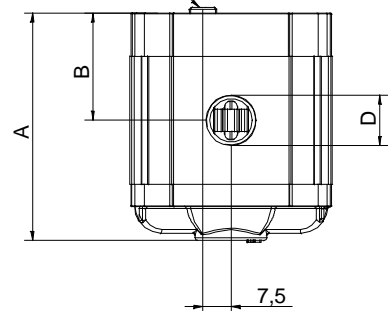
TYPE	Displacement cm3/rev	Max. Pressure		CODE	
		P1 bar	P3 bar	Left rotation	Right rotation
XOF-0/0.17	0,16	220	260	X 0 F 01 23 N B B A	X 0 F 01 24 N B B A
XOF-0/0.25	0,24	220	260	X 0 F 02 23 N B B A	X 0 F 02 24 N B B A
XOF-0/0.45	0,45	220	280	X 0 F 04 23 N B B A	X 0 F 04 24 N B B A
XOF-0/0.57	0,56	220	280	X 0 F 05 23 N B B A	X 0 F 05 24 N B B A
XOF-0/0.76	0,75	220	280	X 0 F 06 23 N B B A	X 0 F 06 24 N B B A
XOF-0/0.98	0,92	220	280	X 0 F 07 23 N B B A	X 0 F 07 24 N B B A
XOF-0/1.27	1,26	220	280	X 0 F 09 23 N B B A	X 0 F 09 24 N B B A
XOF-0/1.52	1,48	220	280	X 0 F 11 23 N B B A	X 0 F 11 24 N B B A
XOF-0/2.30	2,28	190	210	X 0 F 13 23 N B B A	X 0 F 13 24 N B B A

P1) Max. working pressure - P3) Max. peak pressure

For heavy-duty applications, it is recommended to check the admissible torque of the shaft



T.2



11/04/08 XOF0624NBA.dft

Dimensions table

TYPE	Weight kg	A		D	
		mm	mm	IN	OUT
XOF-0/0.17	0,400	55,8	26,2	1/4" BSPP	1/4" BSPP
XOF-0/0.25	0,410	56,4	26,5	1/4" BSPP	1/4" BSPP
XOF-0/0.45	0,420	58,0	27,3	1/4" BSPP	1/4" BSPP
XOF-0/0.57	0,430	59,0	27,8	1/4" BSPP	1/4" BSPP
XOF-0/0.76	0,440	60,5	28,5	1/4" BSPP	1/4" BSPP
XOF-0/0.98	0,460	62,0	29,3	1/4" BSPP	1/4" BSPP
XOF-0/1.27	0,480	64,5	30,5	1/4" BSPP	1/4" BSPP
XOF-0/1.52	0,500	66,5	31,5	1/4" BSPP	1/4" BSPP
XOF-0/2.30	0,560	72,5	34,5	1/4" BSPP	1/4" BSPP

T.2 = 3.7 [Nm] - admissible shaft torque (N.B. When choosing a shaft, always check the admissible torque).

